



# 300PSI Flanged Swing Check Valve

## ANI VALVE

P/N : AV-SC-FF300

### Swing Check Valve Flanged End

#### Technical Features

**Nominal Pressure:** 300PSI

**Conforms :** AWWA C508

**Flange Standard:** ASME / ANSI B 16.1 Class 125 or ASME / ANSI B 16.42 Class 150 or BS EN 1092-2 PN 16 or GB / T9113.1

**Sizes:** 2 1/2" , 3" , 4" , 5" , 6" , 8" , 10" , 12"

**Face to Face Standard :** ASME B 16.10

**Working Pressure:** 300 PSI (Maximum Testing Pressure 600 PSI) conforms to UL 312

**Working Temperature Range:** 0C°-80C°(32°F-176°F)

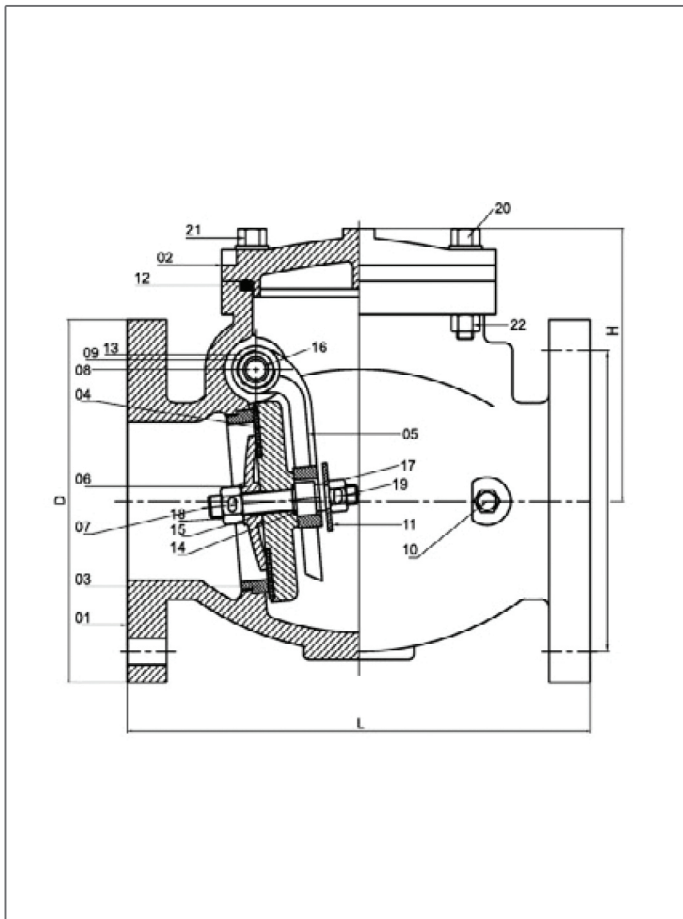
**Coating Details:** Epoxy coated interior and exterior by Electrostatic Spray or coating upon request

#### Applications :

Used both vertically and horizontally

Used in one-way flow pipeline to prevent the water from back flow

**Approval:** UL



#### Valve Material List

NO	Name	Material	Standard
1	Body	Ductile Iron	ASTM A536 Grade 65-45-12
2	Bonnet	Ductile Iron	ASTM A536 Grade 65-45-12
3	Sea Ring	C95400	ASTM B148
4	Disc	Ductile Iron + EPDM	ASTM A536 Grade 65-45-12 +ASTM D2000
5	Rocker Arm	Ductile Iron	ASTM A536 65-45-12
6	Baffle Plate	C95400	ASTM A148
7	Middle Stem	Stainless Steel 304	ASTM A276
8	Stem	Stainless Steel 304	ASTM A276
9	Bracket Screw	Stainless Steel 304	ASTM A276
10	Plug	C95400	ASTM A148
11	Gasket	Stainless Steel 304	ASTM A276
12	O-ring	EPDM	ASTM D2000
13	O-ring	EPDM	ASTM D2000
14	O-ring	EPDM	ASTM D2000
15	O-ring	EPDM	ASTM D2000
16	Bronze Bushing	Powder Metallurgy	
17	Nut	Stainless Steel 304	ASTM A276
18	Nut	Stainless Steel 304	ASTM A276
19	Cotter Pin	Stainless Steel 304	ASTM A276
20	Bolt	Steel 1045	ASTM A29
21	Bolt	Steel 1045	ASTM A29
22	Nut	Steel 1045	ASTM A29

#### Dimensions

Size	DN	L	D	H
2"	DN50	203	152	142
2 1/2"	DN65	216	178	148
3"	DN80	241	191	163.5
4"	DN100	292	229	172
5"	DN125	330	254	237
6"	DN150	356	279	233
8"	DN200	495	343	301
10"	DN250	622	406	348
12"	DN300	698	483	419



ANI Group