



# 300PSI NRS Flanged End Gate Valve

## ANI VALVE

P/N : AV-NG-FF300

### Resilient Wedge NRS Gate Valve - Flanged End

#### Technical Features

**Nominal Pressure:** 300PSI

**Flange Standard:** ASME / ANSI B 16.1 Class 125 or ASME / ANSI B 16.42 Class 150 or BS EN 1092-2 PN 16 or GB / T9113.1

**Sizes:** 2 1/2" , 3" , 4" , 5" , 6" , 8" , 10" , 12"

**Face to Face Standard :** ASME B 16.10

**Working Pressure:** 300 PSI (Maximum Testing Pressure 600 PSI) conforms to UL 262

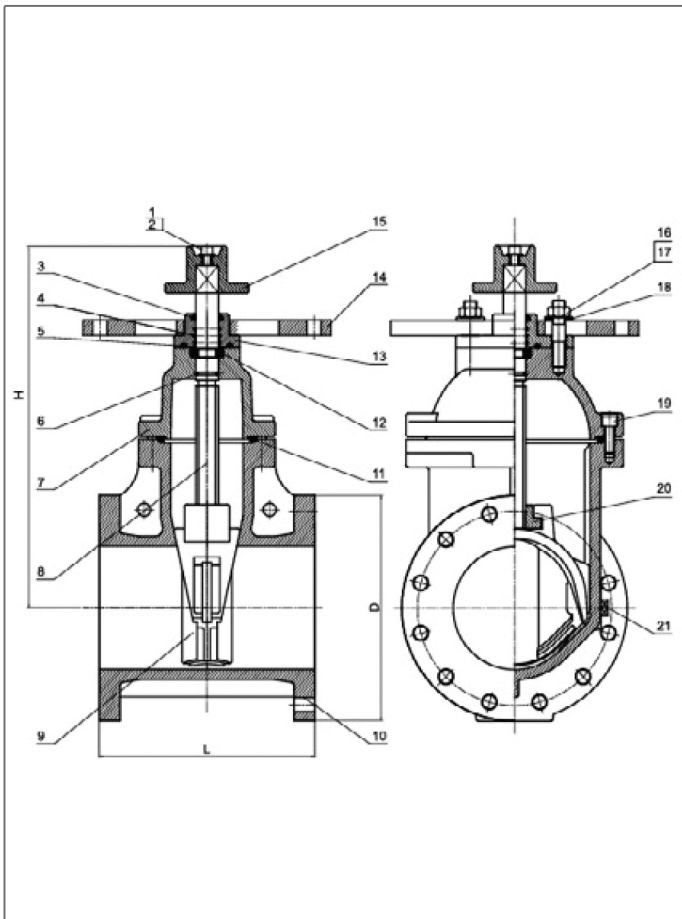
**Working Temperature Range:** 0C°-80C°(32°F-176°F)

**Coating Details:** Epoxy coated interior and exterior by Electrostatic Spray or coating upon request

**NPT plug on body** with 2 operating nuts

**Certified** lead-free by NSF / ANSI 61 & NSF / ANSI 372 is available

**Approval:** UL



#### Valve Material List

NO	Name	Material	Standard
1	Flat Washer	Steel 1045 or Stainless Steel 304	ASTM A29 or ASTM A276
2	Inner Hexagon Screw	Steel 1045 or Stainless Steel 304	ASTM A29 or ASTM A276
3	Sealing Gland	EPDM	ASTM D2000
4	O-Ring	EPDM	ASTM D2000
5	Bonnet	EPDM	ASTM D2000
6	Stem	EPDM	ASTM D2000
7	Disc	Ductile Iron	ASTM A536 Grade 65-45-12
8	Body	Stainless Steel 304	ASTM A276
9	Sealing Gland	Ductile Iron + EPDM	ASTM A536 Grade 65-45-12+ASTM D 2000
10	Body	Ductile Iron	ASTM A536 Grade 65-45-12
11	Sealing Ring	EPDM	ASTM D2000
12	Retaining Ring	C95400	ASTM B148
13	Gland	Ductile Iron	ASTM A536 Grade 65-45-12
14	Terminal Pad	Ductile Iron	ASTM A536 Grade 65-45-12
15	Link Block	Ductile Iron	ASTM A536 Grade 65-45-12
16	Nut	Stainless Steel 304 or Steel 1045	ASTM A276 or ASTM A29
17	Studs	Stainless Steel 304 or Steel 1045	ASTM A276 or ASTM A29
18	Washer	Steel 1045	ASTM A29
19	Inner Hexagon Screw	Steel 1045	ASTM A29
20	Master Screw	C95400	ASTM B148
21	Plug	C95400	ASTM B148

#### Dimensions

Size	DN	L	D	H
2 1/2"	65	190	178	292
3"	80	203	191	322
4"	100	229	229	342
5"	125	254	254	412
6"	150	267	279	448
8"	200	292	343	534
10"	250	330	406	635
	300	356	483	720



ANI Group