



300PSI NRS GxF End Gate Valve

ANI VALVE

P/N : AV-NG-FG300

Resilient Wedge NRS Gate Valve - Grooved x Flanged End

Technical Features

Nominal Pressure: 300PSI

Flange Standard: ASME / ANSI B 16.1 Class 125 or ASME / ANSI B 16.42 Class 150 or BS EN 1092-2 PN 16 or GB / T9113.1

Grooved Standard: Metric or ANSI / AWWA C606

Sizes: 2 1/2" , 3" , 4" , 5" , 6" , 8" , 10" , 12"

Face to Face Standard : ASME B 16.10

Working Pressure: 300 PSI (Maximum Testing Pressure 600 PSI) conforms to UL 262

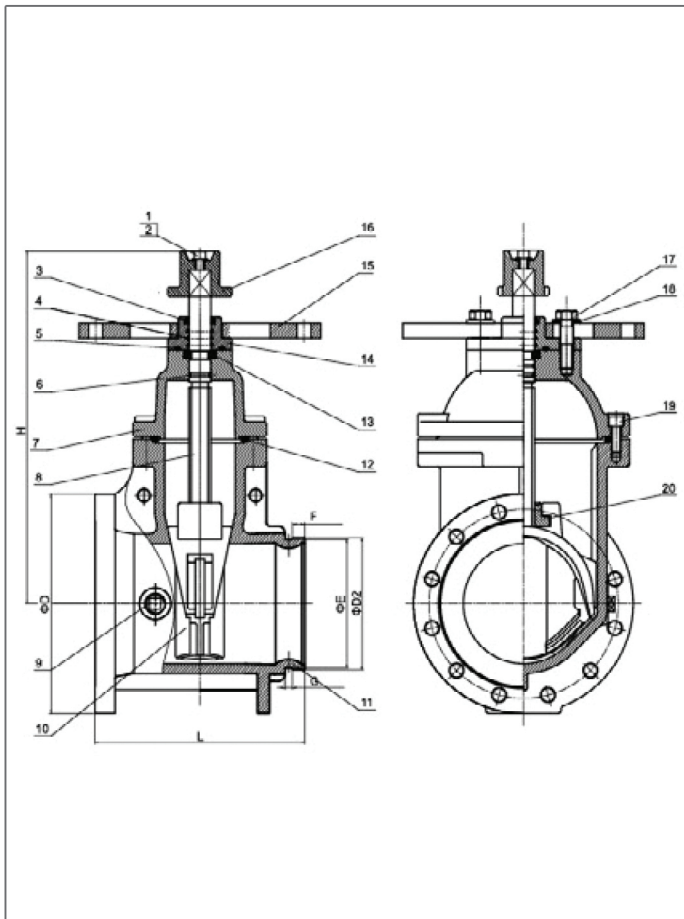
Working Temperature Range: 0C°-80C°(32°F-176°F)

Coating Details: Epoxy coated interior and exterior by Electrostatic Spray or coating upon request

NPT plug on body with 2 operating nuts

Certified lead-free by NSF / ANSI 61 & NSF / ANSI 372 is available

Approval: UL



Valve Material List

NO	Name	Material	Standard
1	Flat Washer	Steel 1045 or Stainless Steel 304	ASTM A29 or ASTM A276
2	Inner Hexagon Screw	Steel 1045 or Stainless Steel 304	ASTM A29 or ASTM A276
3	Sealing Gland	EPDM	ASTM D2000
4	O-Ring	EPDM	ASTM D2000
5	Sealing Ring	EPDM	ASTM D2000
6	O-Ring	EPDM	ASTM D2000
7	Bonnet	Ductile Iron	ASTM A536 Grade 65-45-12
8	Stem	Stainless Steel 304 or C95400	ASTM A351 or ASTM B148
9	Plug	Stainless Steel 304 or C95400	ASTM A351 or ASTM B148
10	Disc	Ductile Iron + EPDM	ASTM A536 Grade 65-45-12 + ASTM D2000
11	body	Ductile Iron	ASTM A536 Grade 65-45-12
12	Soalind Ring	EPDM	ASTM D2000
13	Realing Ring	C95400	ASTM A536 Grade 65-45-12
14	Gland	Ductile Iron	ASTM A536 Grade 65-45-12
15	Post Flange	Ductile Iron	ASTM A536 Grade 65-45-12
16	Wrench Nut	Ductile Iron	ASTM A536 Grade 65-45-12
17	Booll	Stainless Steel 304 or Steel 1045	ASTM A276 or ASTM A29
18	Washer	Stainless Steel 304 or Steel 1045	ASTM A276 or ASTM A29
19	Hergon Socket Screw	Steel 1045 or Stainless Steel 304	ASTM A29 or ASTM A276
20	Stem Nul	CF8 or C95400	ASTM A351 or ASTM B148

Dimensions

Size	DN	L	F	D	E	G	H
2 1/2"	65	190	15.9	73 76.1	69.1 72.3	7.9	292
3"	80	203	15.9	88.9	84.9	7.9	322
4"	100	229	15.9	114.3	110.1	9.5	342
5"	125	254	15.9	139.7 141.3	135.5 137	9.5	412
6"	150	267	15.9	165.1 168.3	160.8 163.9	9.5	448
8"	200	292	19	216.3 219.1	211.6 214.3	11.1	534
10"	250	330	19	273	268.3	12.7	635
12"	300	356	19	323.9	318.3	12.7	720



ANI Group