



300PSI NRS Grooved End Gate Valve

ANI VALVE

P/N : AV-NG-GG300

Resilient Wedge NRS Gate Valve - Grooved End

Technical Features

Nominal Pressure: 300PSI

Grooved Standard: Metric or ANSI / AWWA C606

Sizes: 2 1/2" , 3" , 4" , 5" , 6" , 8" , 10" , 12"

Face to Face Standard : ASME B 16.10

Working Pressure: 300 PSI (Maximum Testing Pressure 600 PSI)
conforms to UL 262

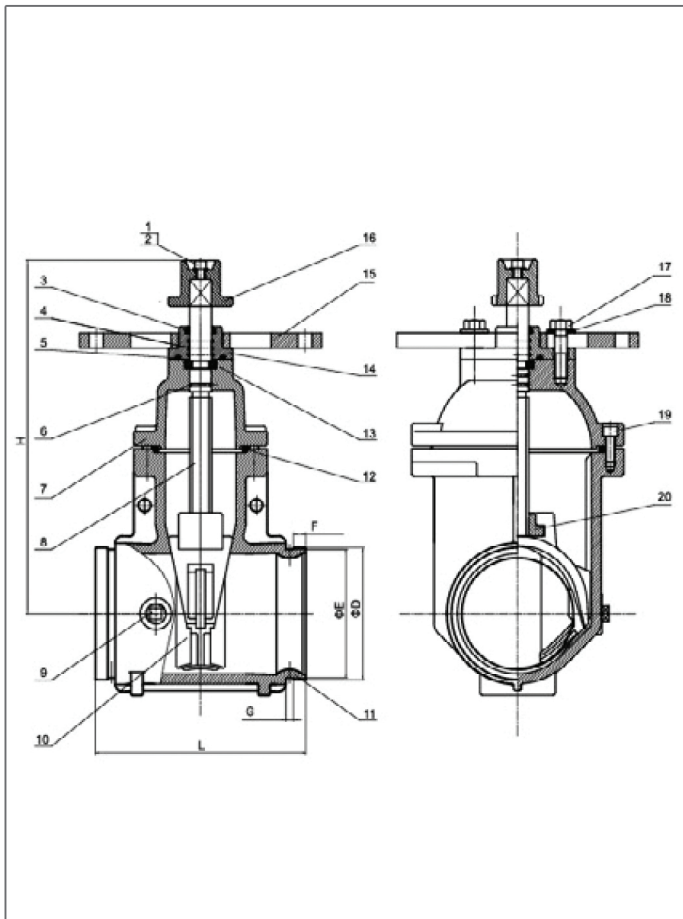
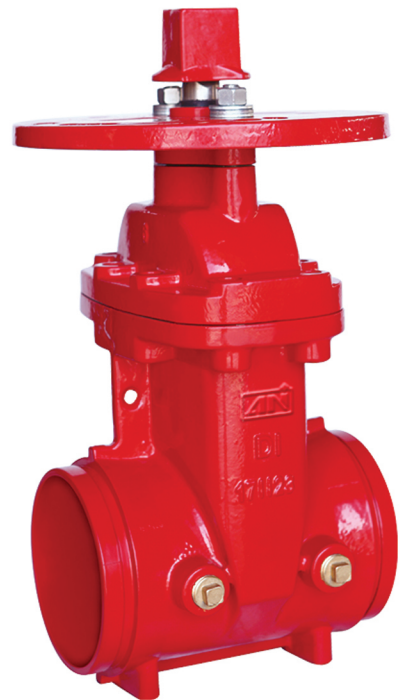
Working Temperature Range: 0C°-80C°(32°F-176°F)

Coating Details: Epoxy coated interior and exterior by Electrostatic
Spray or coating upon request

NPT plug on body with 2 operating nuts

Certified lead-free by NSF / ANSI 61 & NSF / ANSI 372 is available

Approval: UL



Valve Material List

NO	Name	Material	Standard
1	Gasket	Stainless Steel 304 or C95400	ASTM A276 or ASTM B148
2	Bonnet	Ductile Iron	ASTM A536 Grade 65-45-12
3	Packing	Graphite	
4	Disc	Ductile Iron + EPDM	ASTM A536 Grade 65-45-12+ASTM D 2000
5	Body	Ductile Iron	ASTM A536 Grade 65-45-12
6	sealing Ring	EPDM	ASTM D2000
7	Bolt	Stainless Steel 304 or Steel 1045	ASTM A276 or ASTM A29
8	Gland	Ductile Iron	ASTM A536 Grade 65-45-12
9	Nut	Stainless Steel 304 or Steel 1045	ASTM A276 or ASTM A29
10	Flat Washer	Stainless Steel 304 or Steel 1045	ASTM A276 or ASTM A29
11	Bolt	Stainless Steel 304 or Steel 1045	ASTM A276 or ASTM A29
12	Handwheel	Ductile Iron	ASTM A536 Grade 65-45-12
13	Lock Nut	C95400	ASTM B148
14	Locating Screw	Stainless Steel 304 or Steel 1045	ASTM A276 or ASTM A29
15	Stem	Stainless Steel 304 or Steel 1045	ASTM A276
16	Stem Nut	C95400	ASTM B148
17	Plug	C95400	ASTM B148
18	Lifting Nut	CF8/CF8M or C95400	ASTM A351 or ASTM B148
19	Pin	Stainless Steel 304	ASTM A276
20	Sealing Ring	EPDM	ASTM D2000

Dimensions

Size	DN	L	F	D	E	G	H
2 1/2"	65	190	15.9	73 76.1	69.1 72.3	7.9	292
3"	80	203	15.9	88.9	84.9	7.9	322
4"	100	229	15.9	114.3	110.1	9.5	342
5"	125	254	15.9	139.7 141.3	135.5 137	9.5	412
6"	150	267	15.9	165.1 168.3	160.8 163.9	9.5	448
8"	200	292	19	216.3 219.1	211.6 214.3	11.1	534
10"	250	330	19	273	268.3	12.7	635
12"	300	356	19	323.9	318.3	12.7	720



ANI Group