



300PSI OS & Y Flanged End Gate Valve

ANI VALVE

P/N : AV-OG-FF300

Resilient Wedge OS & Y Gate Valve - Flanged End

Technical Features

Nominal Pressure: 300PSI

Flange Standard: ASME / ANSI B 16.1 Class 125 or ASME / ANSI B 16.42 Class 150 or BS EN 1092-2 PN 16 or GB / T9113.1

Sizes: 2 1/2" , 3" , 4" , 5" , 6" , 8" , 10" , 12"

Face to Face Standard : ASME B 16.10

Working Pressure: 300 PSI (Maximum Testing Pressure 600 PSI) conforms to UL 262

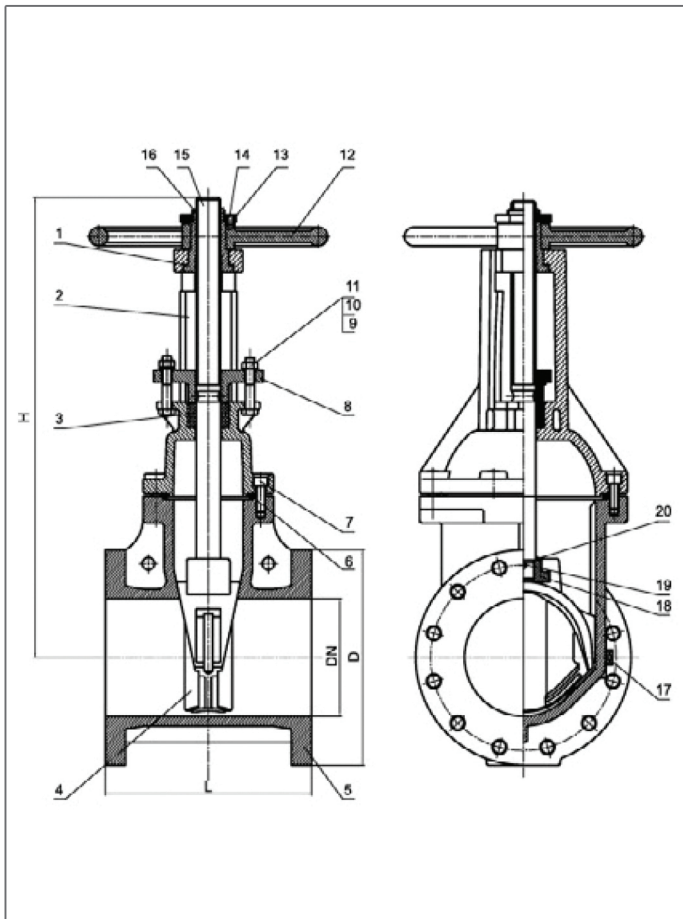
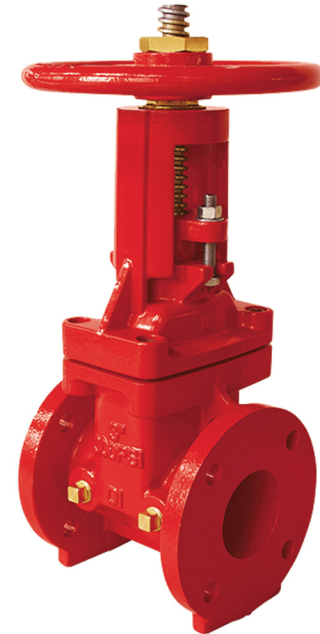
Working Temperature Range: 0C°-80C°(32°F-176°F)

Coating Details: Epoxy coated interior and exterior by Electrostatic Spray or coating upon request

NPT plug on body with 2 operating nuts

Certified lead-free by NSF / ANSI 61 & NSF / ANSI 372 is available

Approval: UL



Valve Material List

NO	Name	Material	Standard
1	Gasket	C95400	ASTM B148
2	Bonnet	Ductile Iron	ASTM A536 Grade 65-45-12
3	Packing	Graphite	
4	Disc	Ductile Iron + EPDM	ASTM A536 Grade 65-45-12+ASTM D 2000
5	Body	Ductile Iron	ASTM A536 Grade 65-45-12
6	sealing Ring	EPDM	ASTM D2000
7	Bolt	Steel 1045	ASTM A29
8	Gland	Ductile Iron	ASTM A536 Grade 65-45-12
9	Nut	Steel 1045	ASTM A29
10	Flat Washer	Steel 1045	ASTM A29
11	Bolt	Steel 1045	ASTM A29
12	Handwheel	Ductile Iron	ASTM A536 Grade 65-45-12
13	Lock Nut	C95400	ASTM B148
14	Locating Screw	Stainless Steel 304	ASTM A276
15	Stem	Stainless Steel 304	ASTM A276
16	Stem Nut	C95400	ASTM B148
17	Plug	C95400	ASTM B148
18	Lifting Nut	CF8	ASTM A351
19	Pin	Stainless Steel 304	ASTM A276
20	Sealing Ring	EPDM	ASTM D2000

Dimensions

Size	DN	L	D	H
2 1/2"	65	190	178	370
3"	80	203	191	420
4"	100	229	229	447
5"	125	254	254	547
6"	150	267	279	607
8"	200	292	343	754
10"	250	330	406	890
12'	300	356	483	1031



ANI Group